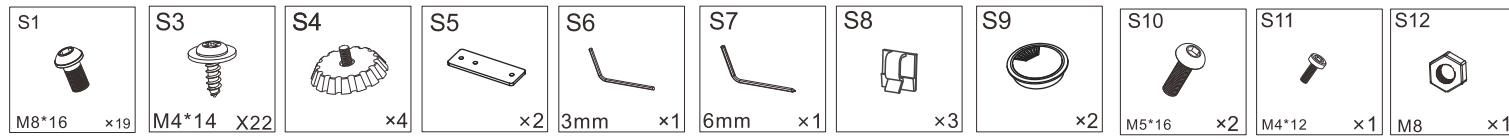
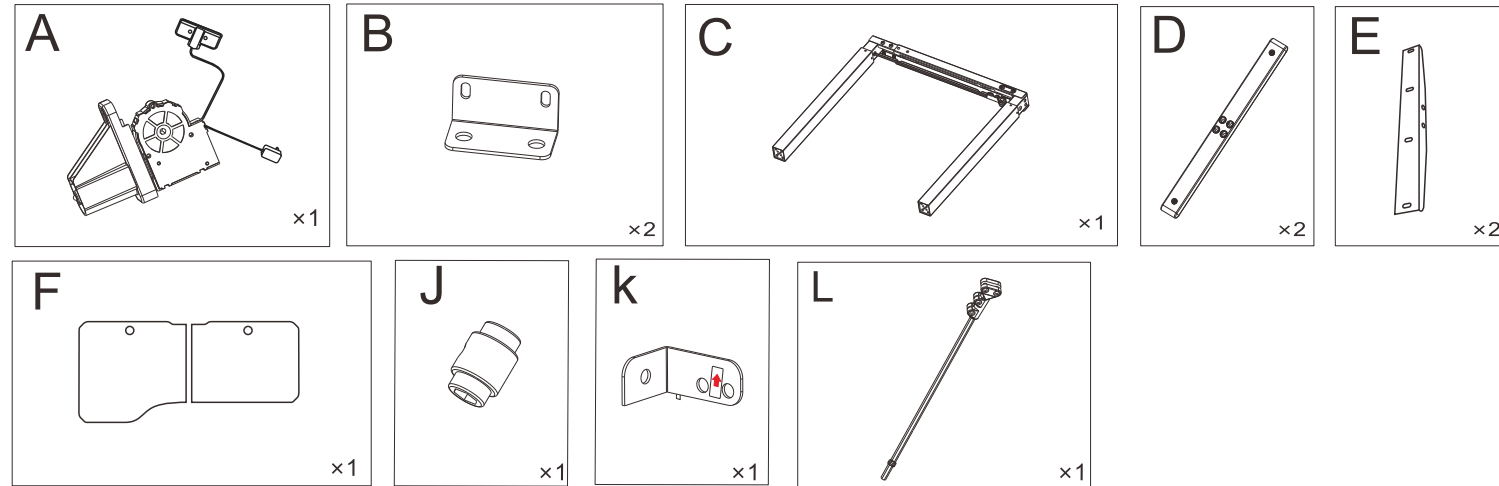


Assembly Instruction

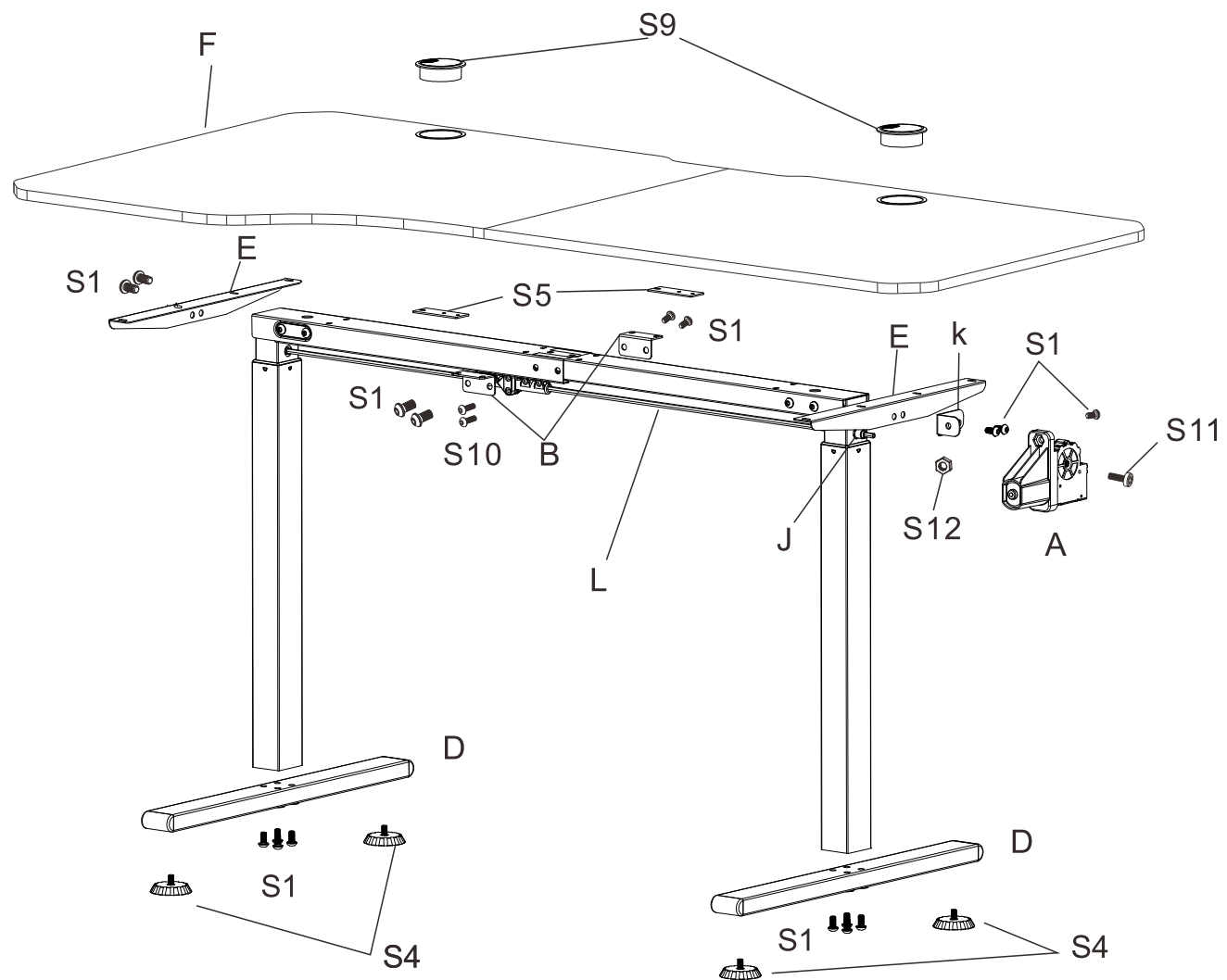
• SCREW ACCESSORIES



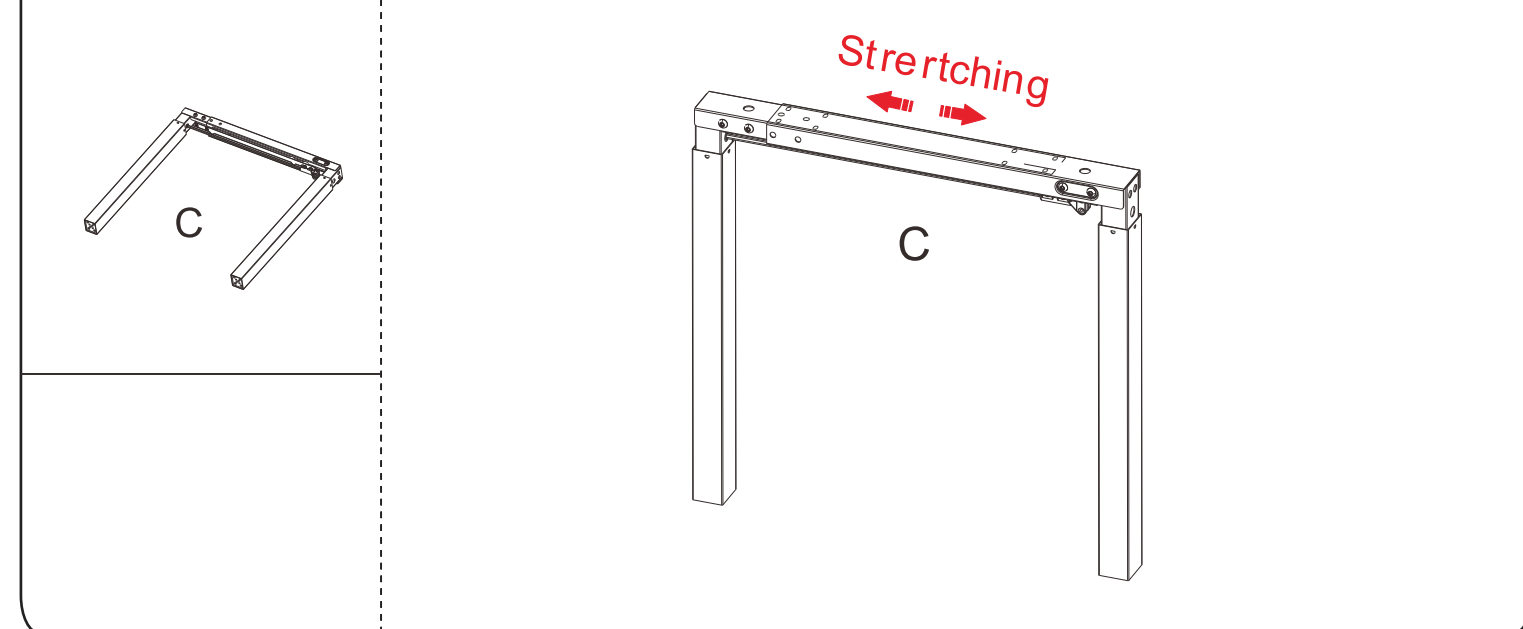
• PARTS ACCESSORIES



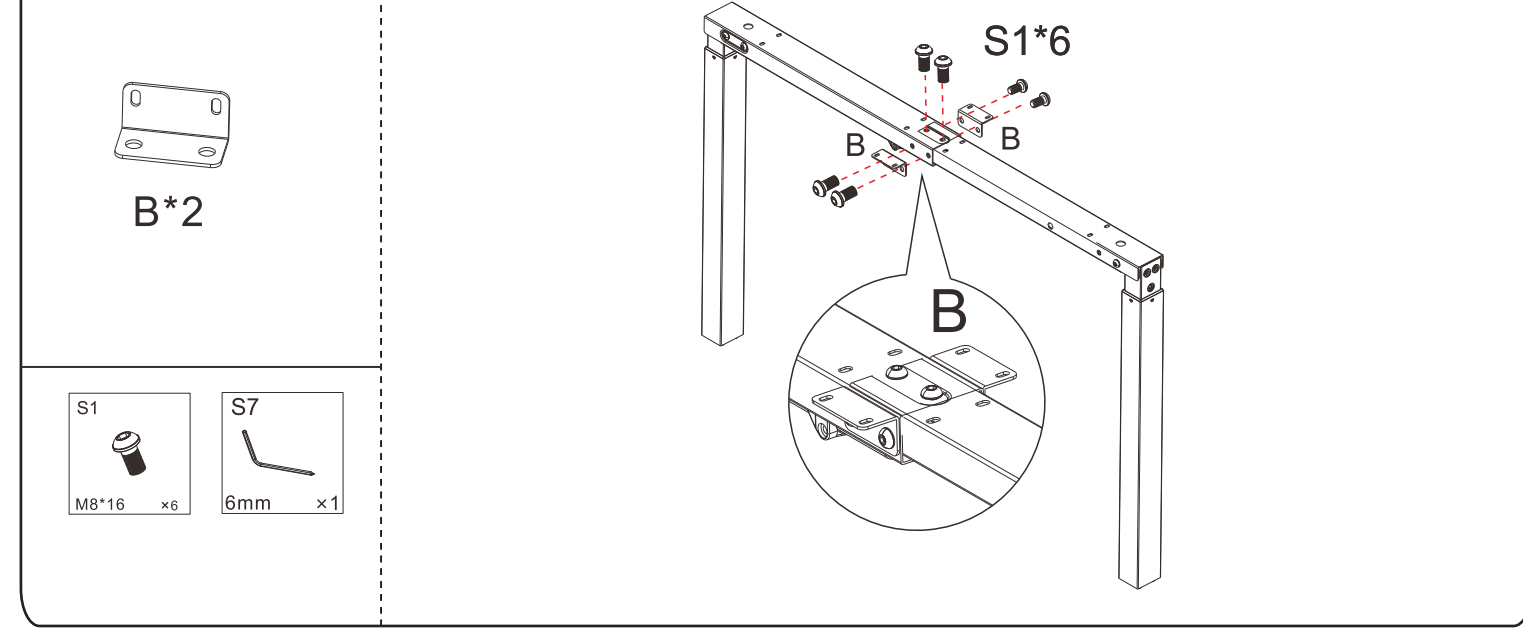
• EXPLODED VIEW



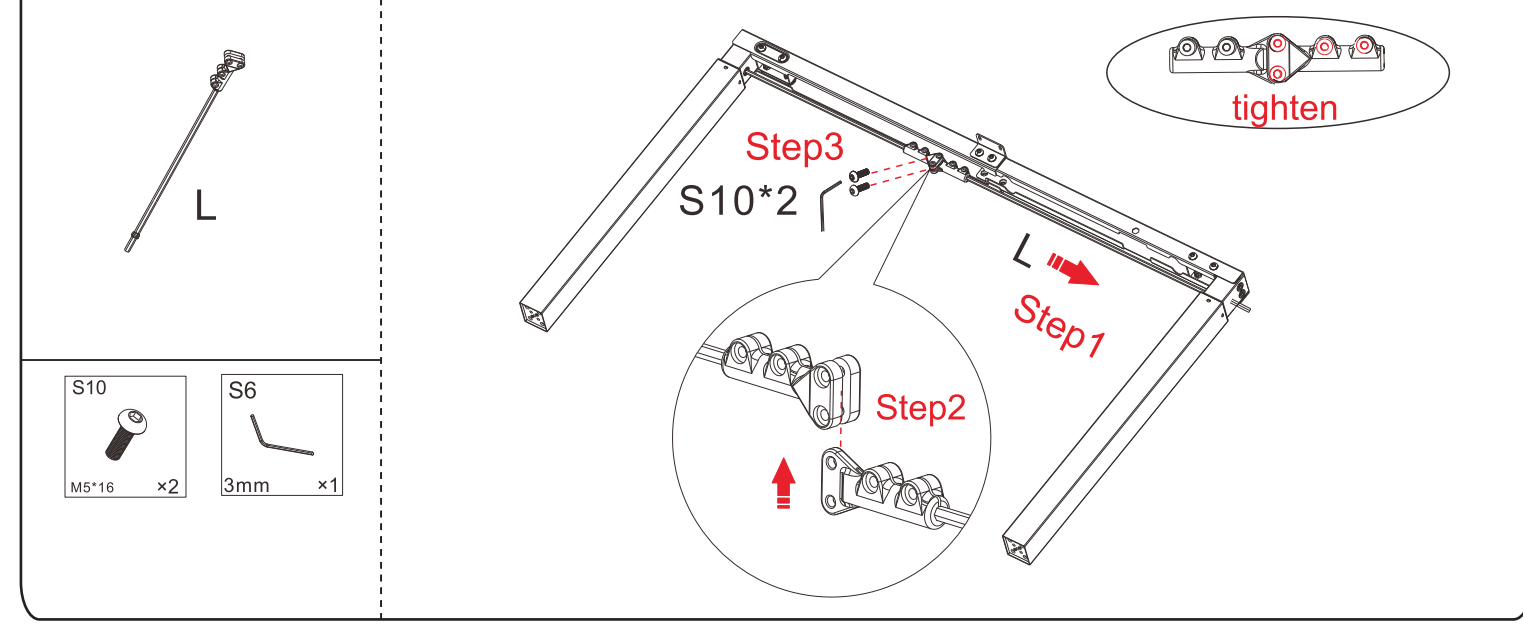
1



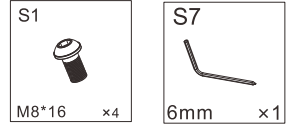
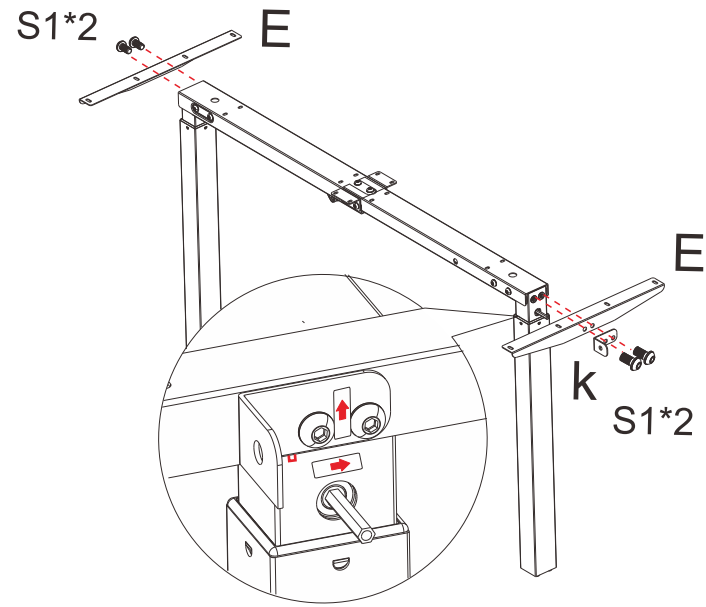
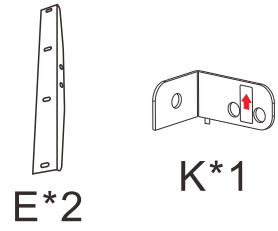
2



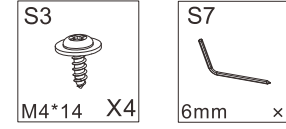
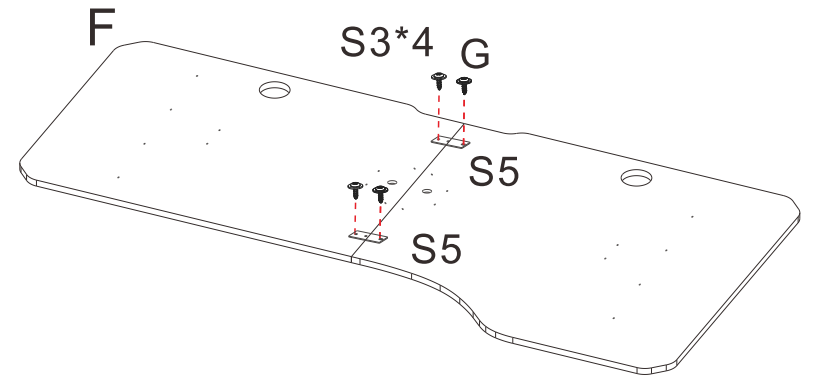
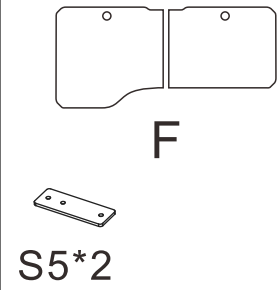
3




4

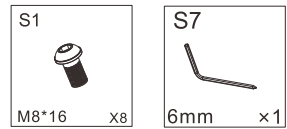
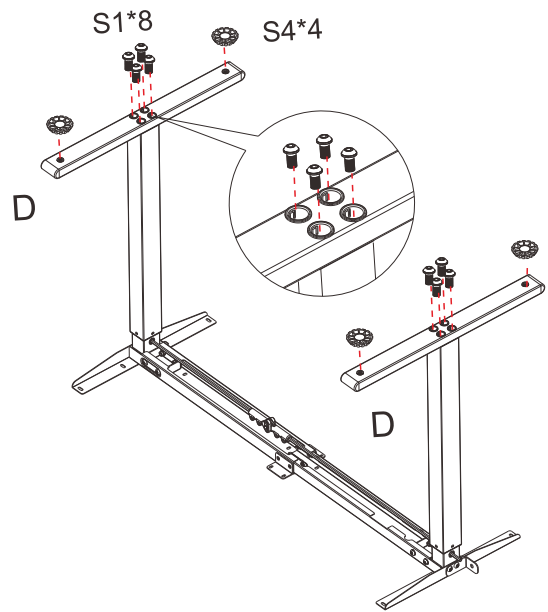
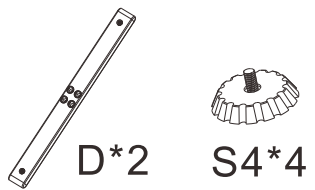


7

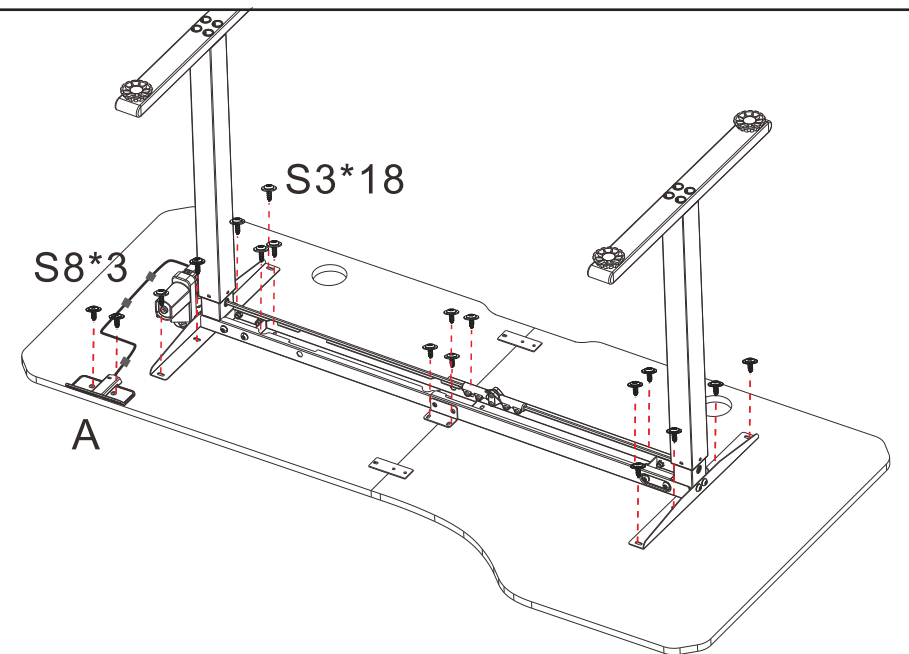
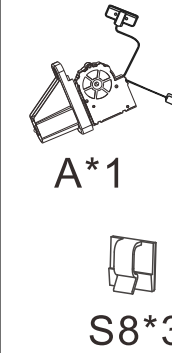


 1. Please make sure the two boards are aligned and seamless
2. and then tighten the screws.

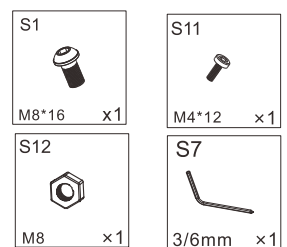
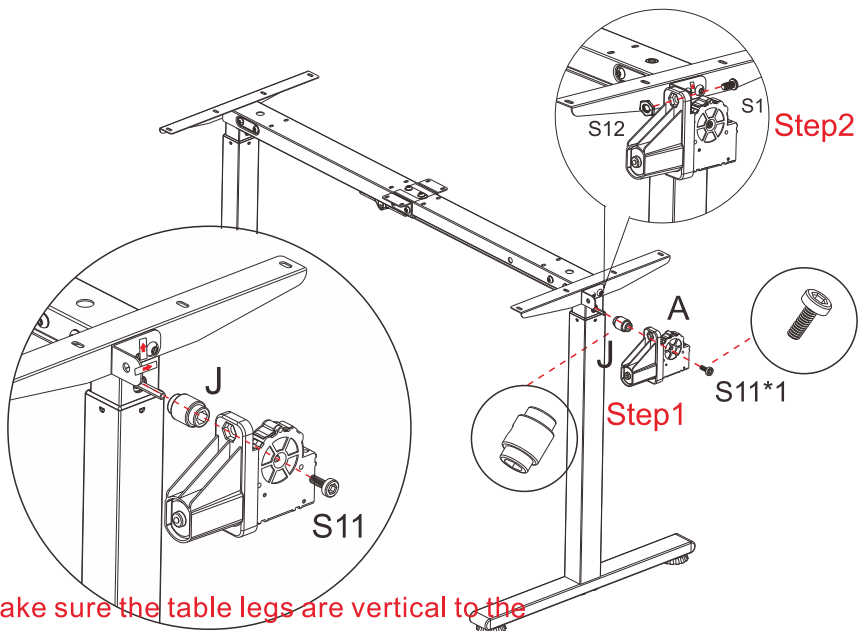
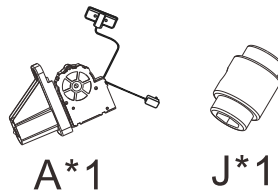
5



8

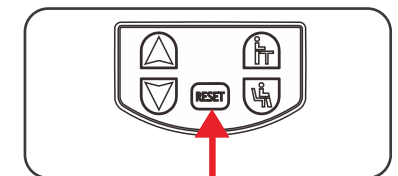
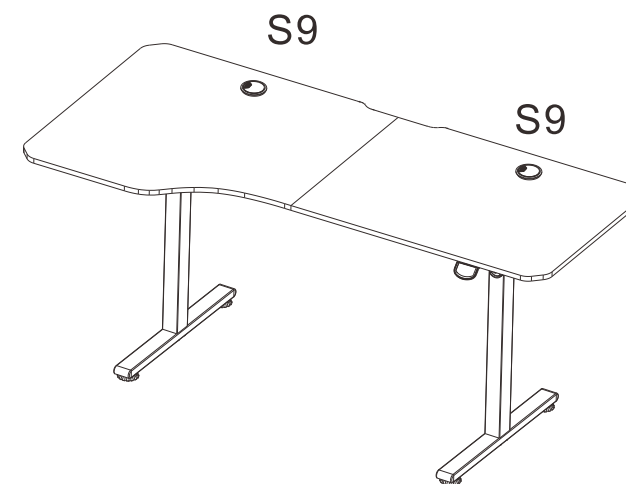



6



 Please make sure the table legs are vertical to the connecting rod. And then tighten all the screws.

9



After the table is installed, please press the  key to start

The table will automatically drop to the lowest point, stay for 3 seconds, then rise to the highest point, and finally return to the initial position
- successful installation